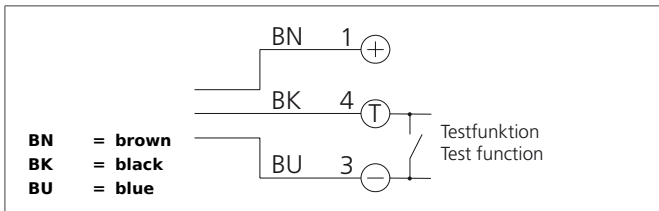


OSV W 18 M 20000-IBSL

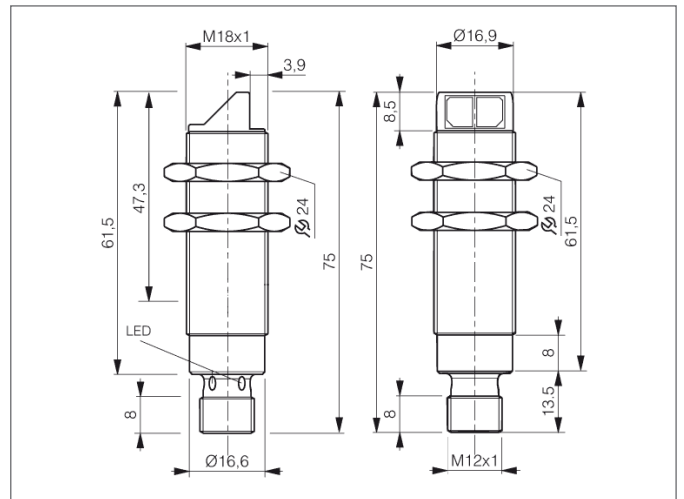
Through Beam Sensor, Transmitter

- Compact design, angled optics
- Red light
- High resolution, operating frequency, functional reserve
- LED indication of output state and functional reserve
- High operating distance
- Transmitter test function



Safety instructions

The Instruments are not to be used for safety applications, in particular applications in which safety of persons depends on proper operation of the instruments.
 These instruments shall exclusively be used by qualified personnel.



TECHNICAL INFORMATION (typ.)		+20°C, 24V DC
Operating principle		Through beam sensors, transmitter
Evaluation		digital
Size		M18 x 1 (thread)
Design		screw
Emitted light		Red, 660 nm, clocked
Service voltage		10 ... 36 V DC
Internal power consumption		< 15 mA
Operating distance		20.000 mm
Sensitivity adjustment		no setting elements
Ambient temperature		-25 ... +55 °C
Insulation voltage endurance		1.000 V
Protection class		IP 67
Protection degree		III, operation on protective low voltage
Casing material		brass nickel plated
Connection		Connector, M12, 3-poled